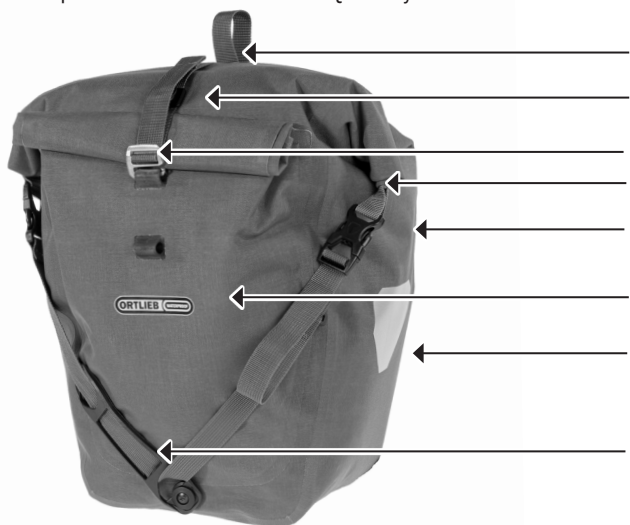


# PRODUCT INFO

## BACK-ROLLER PLUS

Rear pannier with roll closure and QL2.1-system



Additional fastening with strap, buckle and D-ring

Auxiliary closure with webbing and buckle, upper fixation point for the shoulder strap flap

Hook with webbing for both closure options

Rolling closure

Buckles for closing the rolling closure at the top or for attaching the shoulder strap

Waterproof outer pocket with roll / flap closure

Two lateral 3M Scotchlite reflectors

Shoulder strap with flap for direct fixation of the strap to the bag

Release handle for mounting and releasing the QL2.1 system

Injection-molded auxiliary fastener for fixing the handle

Exchangeable hook inserts in sizes 8, 10 and 12 mm

PE inner stiffening panel is prepared for Pannier stabilizing insert

Slidable and rotatable hook (15° steps) with anti-scratch function

Hook rail made of two-component synthetic with anti-scratch function

Edge protector with slots for mounting the Pannier Carrying System

QL2.1 system

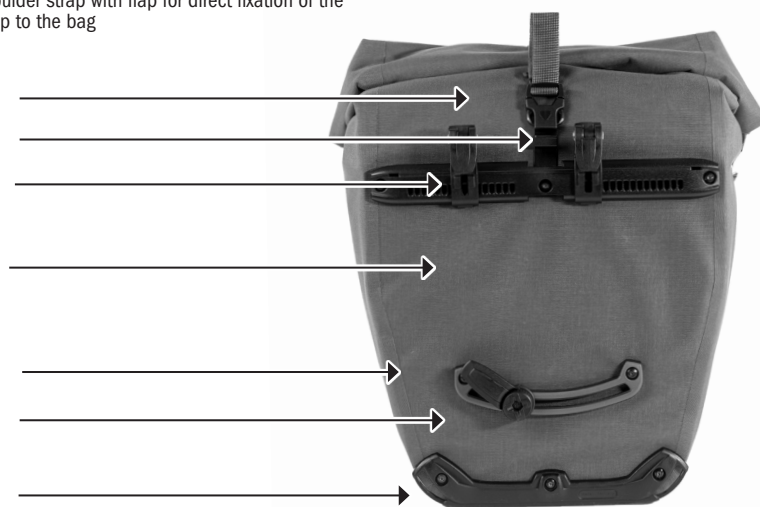
IP 64

Anti scratch

PVC free

PFAS free

PS36C



Height cm/in	Width cm/in	Depth cm/in	Volume L/cu.in.	Weight g/oz.	max. capacity kg/lbs.
42/16.5	23/32 9/12.6	17/6.7	20 + 3 / 1220 + 183	910 / 30.7	9/19.8

## SPECIFICATIONS:

- + Classical rear pannier with roll closure
- + Abrasion resistant Cordura fabric
- + QL2.1 system for racks up to 16 mm
- + Upper QL hook and lower sliding hook adjustable without tools
- + Including reduction pieces for tube diameters 8, 10 and 12 mm; with anti-scratch function reducing abrasions on rack
- + Outer pocket with additional 3L volume
- + Lower hook rail made of two-component „hard-soft“ synthetic reduces abrasions on carrier
- + Including integrated inner pocket
- + Shoulder strap with flap that allows direct fixation of the strap to the bag
- + Can be used right or left due to symmetrical shape
- + Can be combined on the rack with ORTLIEB Rack-Pack size 24 L or 31 L
- + Highly reflective Scotchlite reflector
- + Easy to clean inside

**Contents:** Pannier with shoulder straps and reduction inserts for 8, 10 and 12 mm

**Optional accessories:** Pannier Stabilizing Insert, Packing Cubes/Pannier Commuting Insert, Pannier Carrying System, Anti-Theft-Device (E125), Outer Pocket 2,1 L, Mesh-Pocket, Bottle-Cage, QL2.1 hook 18mm (E211) & 20mm (E193)

**Attention:** Maximum load per pannier is 9kg / 20 lbs. We recommend weighing each loaded pannier to confirm that the maximum allowance of the pannier fixation is not exceeded. This practice is advised for both rear and front panniers. CAUTION: The maximum weight capacity of every carrier model is different. Please observe the maximum weight allowance of the carrier fitted to your bicycle. Note: Sometimes the maximum capacity of the panniers fixing system can exceed the maximum capacity of the carrier. DO NOT exceed the maximum capacity of the carrier! Note, that the use of panniers will significantly influence the handling properties of your bicycle.

**Attention:** As abrasion cannot be ruled out, we recommend that all points where the mounting system contacts the bicycle rack or frame be protected by scratch protection film.

**Note:** In order to meet standard IP64 (6=dustproof 4=protected against splash water coming from all directions) the lid must be rolled 3-4 times.

