

PRODUCT INFO

VARIO

Waterproof backpack-pannier hybrid



PVC free

IP 64

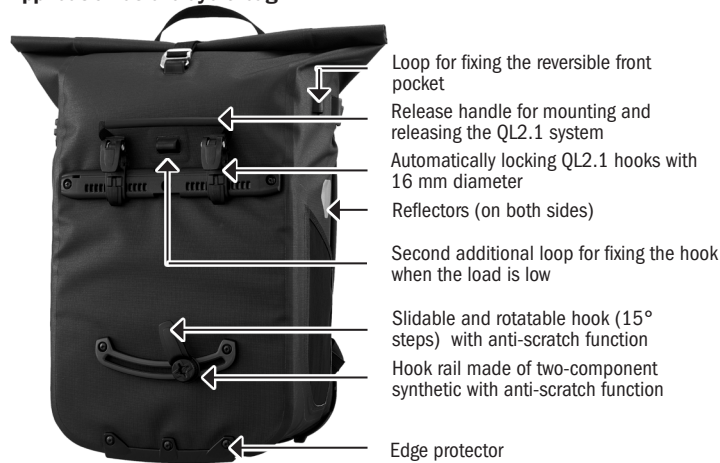
PS33

QL2.1 system

PFAS free

 Laptop compartment included

Application as a bicycle bag



Application as a backpack



height cm/in	width cm/in.	depth cm/in.	vol. L/cu.in.	weight g/oz.	maximum load kg/lbs
47/18.5	31/12.2	22/8.7	26/1.587	1550/54.7	9/19.8

SPECIFICATIONS:

- + Waterproof backpack with roll closure and Quick-Lock2.1 mounting system
- + Use as bike bag or backpack
- + Quick, intuitive conversion between functions using a reversible pocket flap
- + Complete flap coverage of QL system or shoulder straps
- + Quick-Lock2.1 mounting system for racks up to 16 mm tube diameter
- + Reducers for tube diameters 8, 10 and 12 mm with anti-scratch function to protect the racks surface
- + The QL2.1 system offers tool free adjustment
- + Two hook fixing locations to adjust the bags roll closure based on the load size
- + Tear and abrasion resistant nylon fabric
- + Comfortable carrying system
- + Zippered outer pocket in the flap (not waterproof)
- + Side mesh outer pocket
- + Improved closure size and access when compared to previous Vario design
- + Inside pocket with laptop compartment (36 x 24,5 x 2,5 cm)
- + Carry handle
- + Sternum strap
- + 3M Scotchlite reflectors

Contents: Waterproof backpack-pannier hybrid with QL2.1 mounting



PRODUCT INFO

VARIO

Waterproof backpack-pannier hybrid

Quick, intuitive conversion between functions using a reversible pocket flap:

Bike pannier:

Backpack:



Optional accessory:

Anti-Theft-Device (E124), QL2.1 hook 18 mm (E211) & 20 mm (E193)

Attention:

Maximum load per pannier is 9kg / 20 lbs. We recommend weighing each loaded pannier to confirm that the maximum allowance of the pannier fixation is not exceeded. This practice is advised for both rear and front panniers. CAUTION: The maximum weight capacity of every carrier model is different. Please observe the maximum weight allowance of the carrier fitted to your bicycle. Note: Sometimes the maximum capacity of the panniers fixing system can exceed the maximum capacity of the carrier. DO NOT exceed the maximum capacity of the carrier! Note, that the use of panniers will significantly influence the handling properties of your bicycle.

Attention:

As abrasion cannot be ruled out, we recommend that all points where the mounting system contacts the bicycle rack or frame be protected by scratch protection film.

Note:

In order to meet standard IP64 (6=dustproof, 4=protected against splash water coming from all directions) the roll closure must be rolled at least 3-4 times.

